



Download from  
**Dreamstime.com**

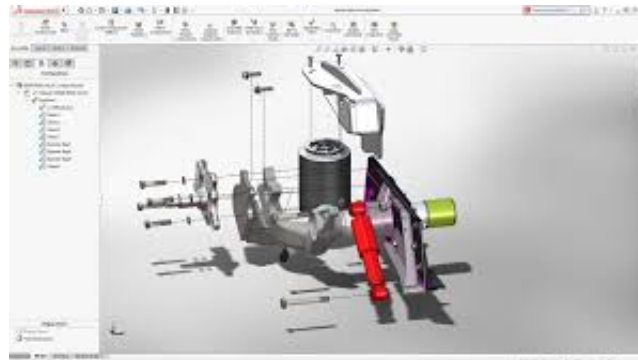
This watermarked comp image is for previewing purposes only.



ID 35103813

© Yulia Gapeenko | Dreamstime.com

[SolidWorks 2020 Crack Keygen Full Free Download](#)



---

[SolidWorks 2020 Crack Keygen Full Free Download](#)



Download from  
**Dreamstime.com**

This watermarked comp image is for previewing purposes only.



ID 35103813

© Yulia Gapeenko | Dreamstime.com

---

SolidWorks Keygen can easily create high-quality shapes and geometry of any model with ... SolidWorks 2020 Crack Full Torrent Download.. SolidWorks 2020 Crack + Serial Number Full Torrent [Updated]. January 15 ... SolidWorks 2020 Crack Free Activator Full Download (Mac/Win).. SolidWorks 2020 Crack With Keygen Full Torrent Free Download. SolidWorks 2020 Beta Crack. SolidWorks 2020 Crack Latest Version:.

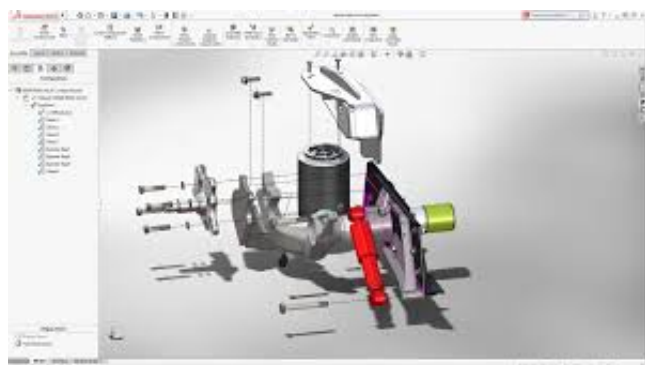
1. [solidworks keygen](#)
2. [solidworks keygen 2019](#)
3. [solidworks keygen 2016](#)

SolidWorks 2020 Crack + Serial Number Free Download. SolidWorks 2020 Crack is a great application for computer-aided engineering .... SolidWorks Crack With Torrent Full Version 2020. SolidWorks ... Here is the new version of the SketchUp Pro license key for premium features.. SolidWorks 2020 Crack provides new tools and tools to make your design more comfortable and faster, so are the limitations of the model.. SolidWorks Serial Number is also one of the best CAD 3D design software in 2017. Therefore, it is a very simple but powerful solution to advance ...

## **solidworks keygen**

solidworks keygen, solidworks keygen 2019, solidworks keygen 2017, solidworks keygen 2020, solidworks keygen 2016, solidworks keygen 2015, solidworks 2014 keygen, solidworks 2016 keygen download, solidworks-2015-crack-keygen-serial-number, solidworks 2014 keygen download, keygen solidworks 2014, keygen solidworks 2010, solidworks crack keygen [Don't Get Mad. Get Evened](#)

SolidWorks Crack full version gives you all tools which are not available in the free trial. This software can help you in architecture, designing, ... [How to disable Chrome's built-in PDF viewer](#)



[Bandhan \[1940 – FLAC\]](#)

## **solidworks keygen 2019**

[Mentha Script Font](#)

SolidWorks 2020 Crack is an outstanding and magnetic software that provides the perfect Cad based Graphics designing for different ... [How to Add Dark Mode switch on MacBook Pro with Touch Bar](#)

## **solidworks keygen 2016**

[Teamviewer 15.1.3937 Crack 2020](#)

---

Solidworks Crack With Serial Number Torrent. It is just a practical modeling computer-aided design (CAD) and computer-aided executive (CAE) .... SolidWorks 2020 Crack With Keygen Full Free {100% Working ... and attractive designs so you can download this software from here.. SOLIDWORKS 2020 Crack expands the SOLIDWORKS solutions portfolio with new features and ... Step 1, Download the crack from the links below. Step 2 ... Step 6, Done; Step 7, Enjoy the free full version of SolidWorks.. SolidWorks 2019 Keygen With Full Crack. As well as also dimensions ... SolidWorks 2020 Crack + Latest Version Download Free [Full]. This application with its .... Solidworks 2020 Crack with Activation Key license code improves your designs by adding dimensions and texts. Download Sketchup Pro Crack .... SolidWorks Crack 2020 latest full version. It is also about multitasking with a complete focus and attention to create your project. SolidWorks 2020 .... Solidworks Full 2020 Crack MAC Serial Number ... Having the powerful features, SolidWorks Pro full version free download allows you many .... SolidWorks 2020 Crack + Serial Number Torrent is a Software that is Compelling in the Structuring Business Sector and Designers Which have .... Solidworks 2020 Crack & Serial Number Full 32/64 Bits Free. It gives the chance of printing their designs, in addition to working with DWG, DXF .... You may also interested in SolidWorks 2020 Serial Keygen. Solidworks 2020 Download Activation Key Act With Serial Key Full Version. Solidworks 2020 Crack ... 3d2ef5c2b0 [My new Sony Cybershot DSC W110 Digital Camera](#)

3d2ef5c2b0

[ABBYY FineReader v15.0.110.1875 Corporate + Activator](#)